

8T SERIES INTERFACE

GENERAL DESCRIPTION

The Digital 8T Series is a Standard TTL compatible family of interface circuits that is used in applications such as line driving and receiving, Tri-State Buses, "Party Line" Bus systems driving of LED's and Displays, MOS Interface, as well as in a variety of timing circuits and special purpose buffer gates. Further detailed applications literature is available.

MAXIMUM RATINGS

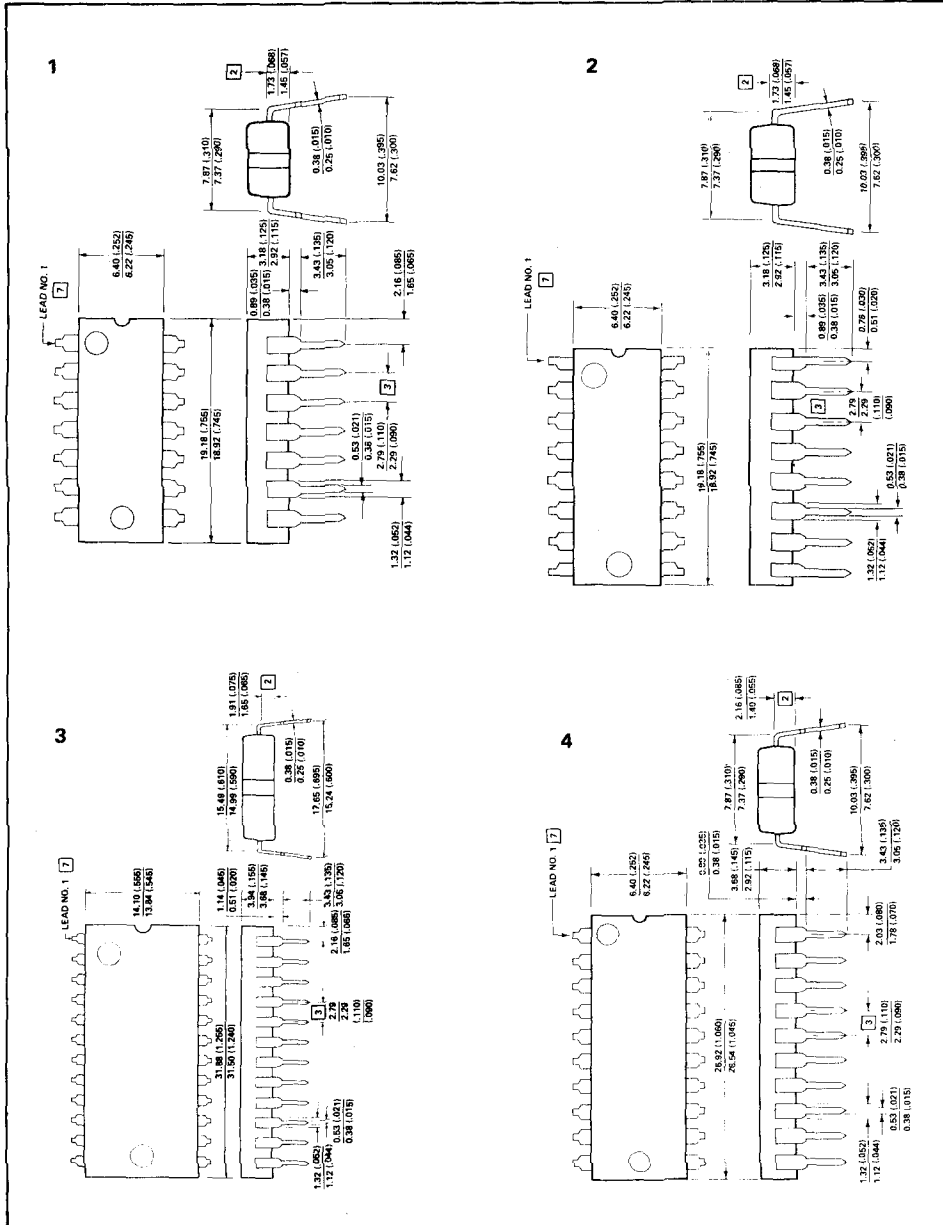
Input Voltage	+5.5V
Output Voltage	+7.0V
VCC	+7.0V

REFERENCE TABLE

TYPE NO.	DESCRIPTION	STOCK NO.	OUTLINE DRWG. NO.	CONNECTION DIAG. NO.
N8T04N	7-Segment Decoder Display Drive (Active-Low Outputs)	55776E	1	B256
N8T05N	7-Segment Decoder Display Drive (Active-Hi Outputs)	55777C	2	B257
N8T06N	7-Segment Decoder Display Drive (Active-Low Outputs)	55778A	2	B258
N8T09N	Quad Bus Driver with Three-State Outputs	55779X	1	B259
N8T10N	Quad D-Type Bus Latch (Three-State)	55780B	2	B260
N8T13N	Dual Line Driver	55781X	2	B261
N8T14N	Triple Line Receiver/Schmitt Trigger	55782R	2	B262
N8T15N	Dual Communications EIA/MIL Line Driver	55783G	1	B263
N8T16N	Dual Communications EIA/MIL Line Receiver	55784E	1	B264
N8T18N	Dual 2-Input NAND Gate	55785C	1	B265
N8T20N	Bidirectional Monostable Multivibrator (Diff. Input)	55786A	2	B266
N8T22N	Retriggerable Monostable Multivibrator (74122/9601)	55787X	1	B267
N8T23N	Dual Line Driver for IBM 360/370 Interface (75123)	55788H	2	B268
N8T24N	Triple Line Receiver for IBM 360/370 Interface (75124)	55789F	2	B269
N8T25N	Dual MOS Sense Amplifier with Latch (Three-State Outputs)	55790R		
N8T26 (8820) N	Quad Bus Driver/Receiver (Three-State Outputs)	55791G	2	B270
N8T28N	Quad Non-Inverting Bus Driver/Receiver (Three-State Outputs)	55792E	2	B271
N8T30N	Dual TTL/DTL to MOS Transceiver/Port controller	55793C	1	B272
N8T31N	8-Bit Bidirectional I/O Port	55794A	3	B273
N8T34N	Quad Bus Transceiver (DM8834)	55795X	2	B274
N8T37N	Hex Bus Receiver with Hysteresis—Schmitt Trigger (DM8637)	55796H	2	B275
N8T38N	Quad Bus Transceiver (Open Collector) (DM88380)	55797F	2	B276
N8T80N	Quad 2-Input NAND Gate (High Voltage)	55798D	1	B277
N8T90N	Hex Inverter (High Voltage)	55799B	1	B278
N8T95N	High Speed Hex Buffers/Inverters (74365/DM8095)	55800D	2	B279
N8T96N	High Speed Hex Buffers/Inverters (74366/DM8096)	55801B	2	B280
N8T97N	High Speed Hex Buffers/Inverters (74367/DM8097)	55802X	2	B281
N8T98N	High Speed Hex Buffers/Inverters (74368/DM8088)	55803R	2	B282
N8T363N	Dual Zero Crossing Detector	55804G	1	B283
N8T380N	Quad Bus Receiver with Hysteresis	55805E	1	B284

PLEASE QUOTE STOCK NO.
AND MANUFACTURERS PART NO. WHEN ORDERING



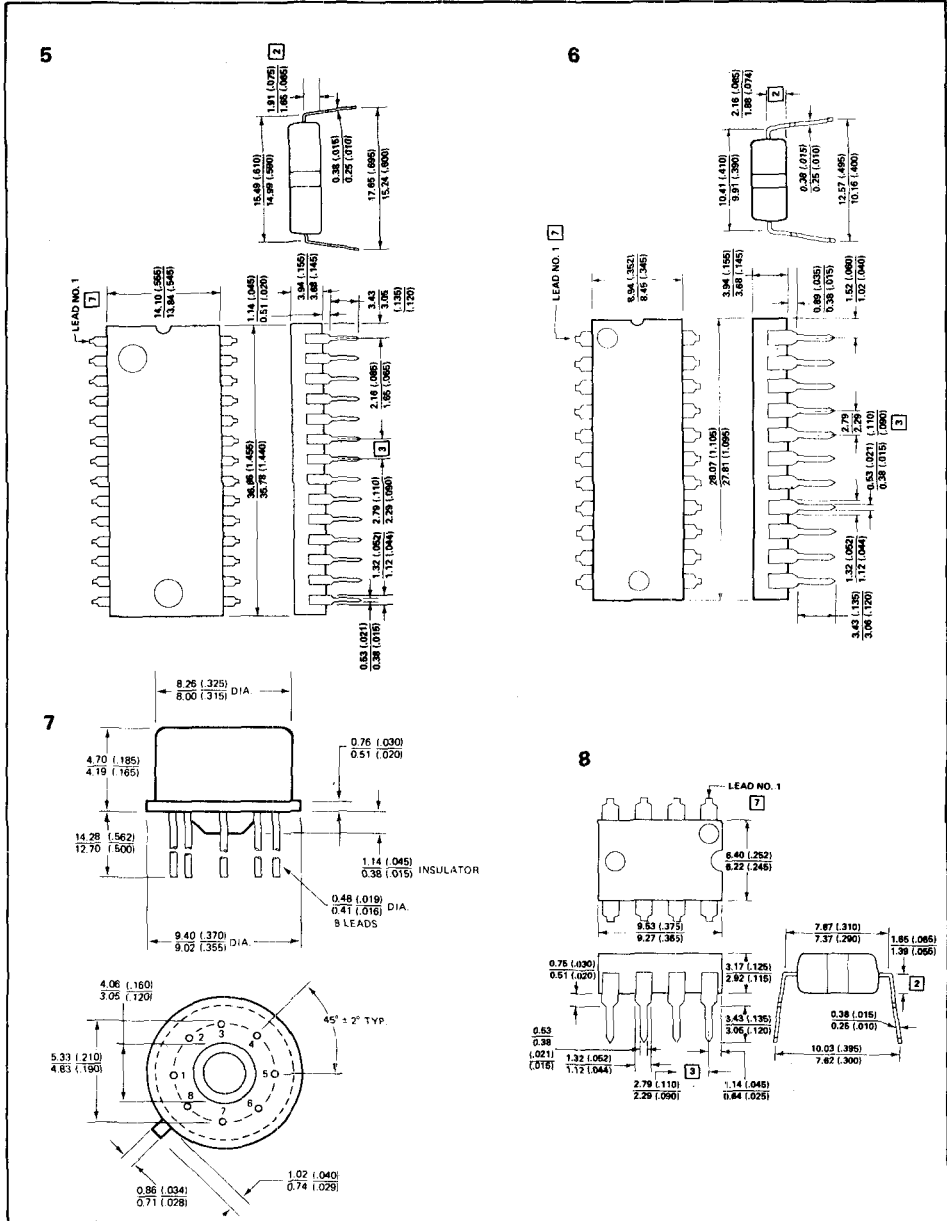


PLEASE QUOTE STOCK NO.
AND MANUFACTURERS PART NO. WHEN ORDERING

LIT GEMINI

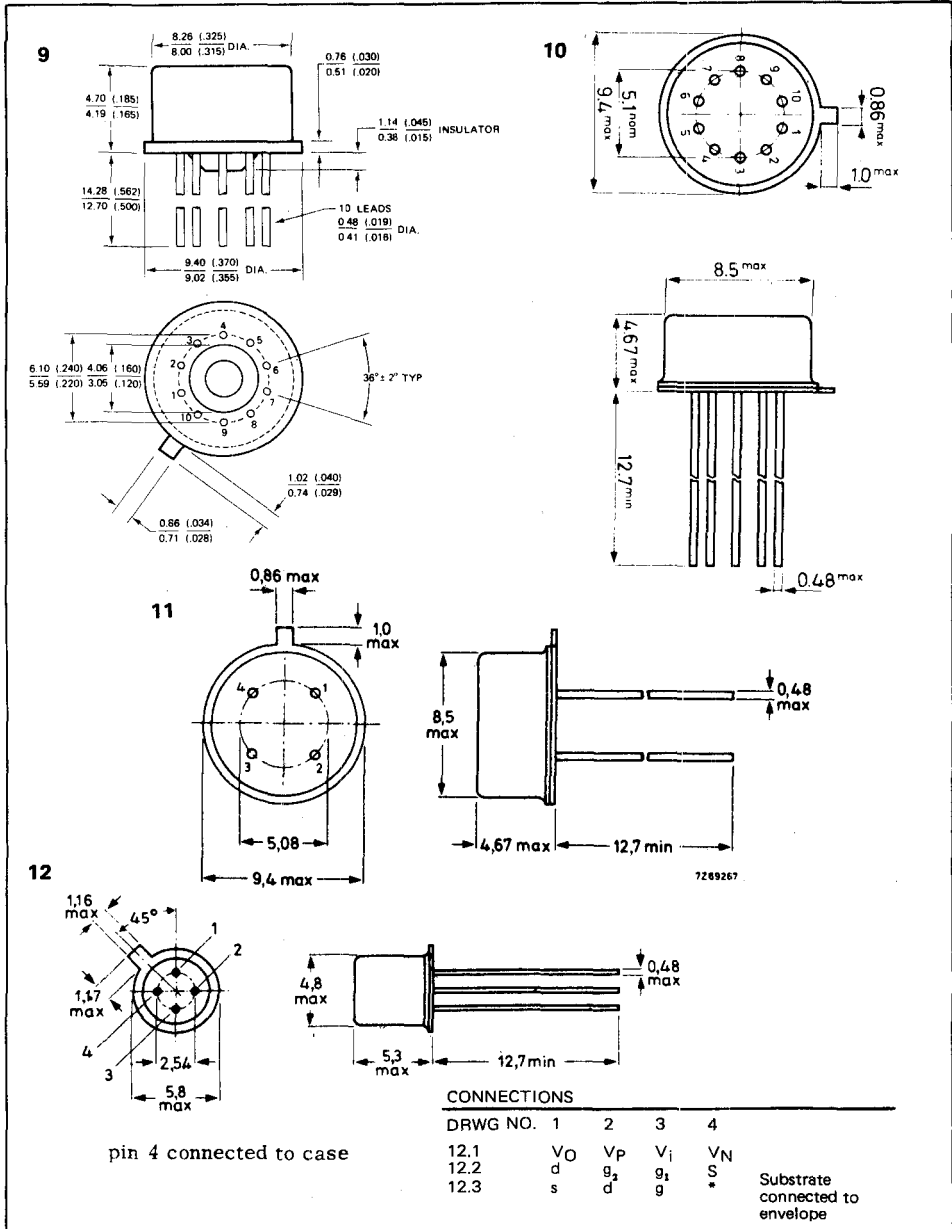
Signetics

Outline Drawings



III GEMINI

FOR CURRENT PRICES PHONE
HARLOW (0279) 29644

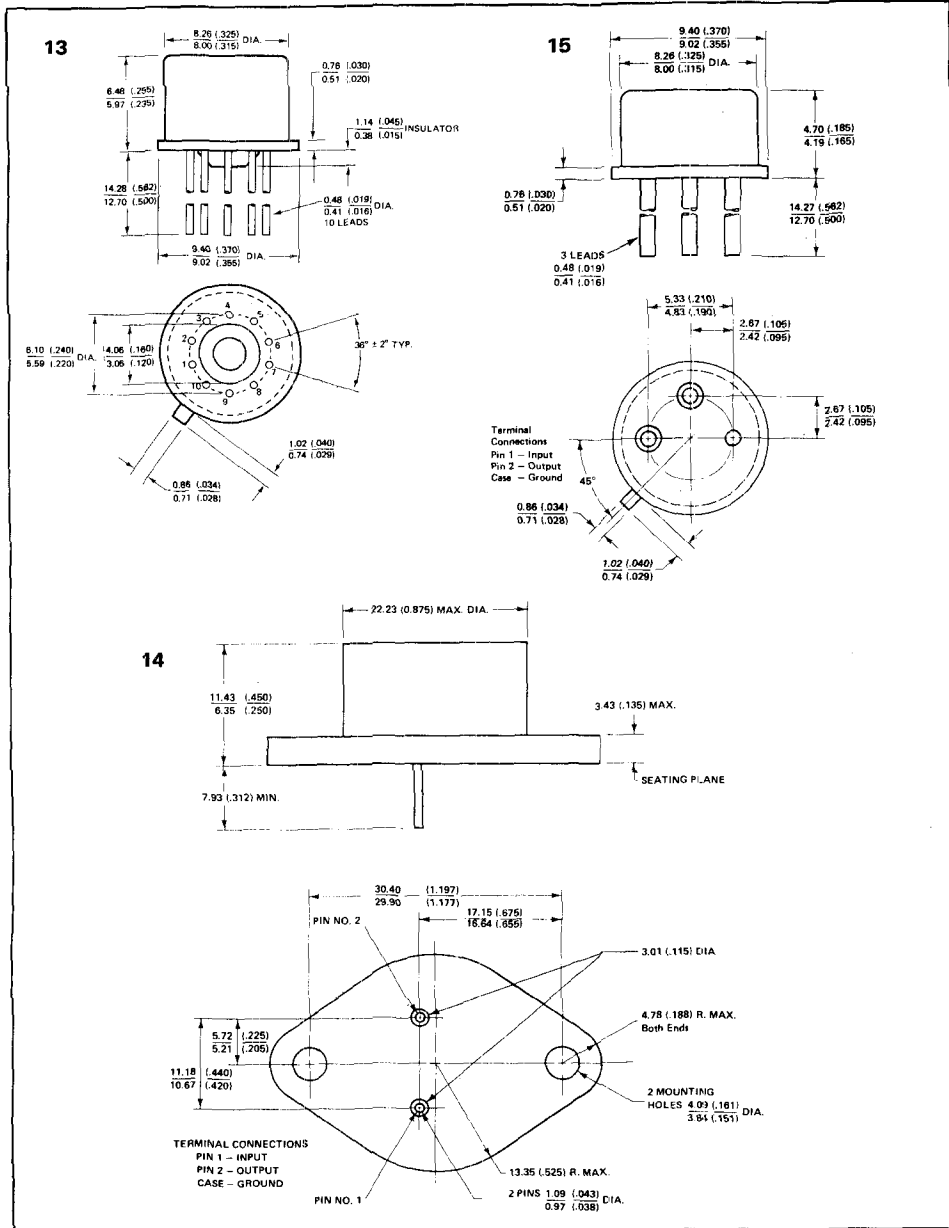


PLEASE QUOTE STOCK NO.
AND MANUFACTURERS PART NO. WHEN ORDERING

ITT GEMINI

Signetics

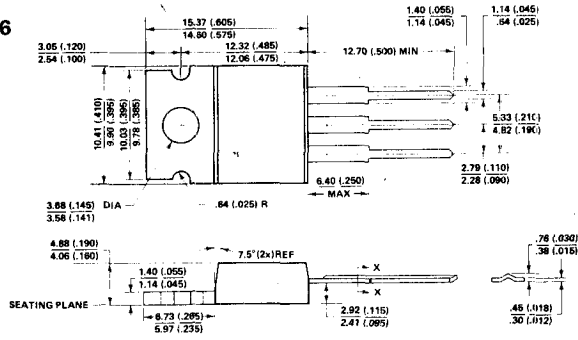
Outline Drawings



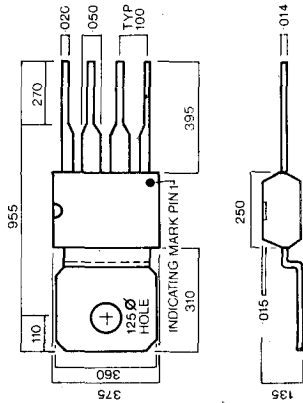
ITT GEMINI

FOR CURRENT PRICES PHONE
HARLOW (0279) 29644

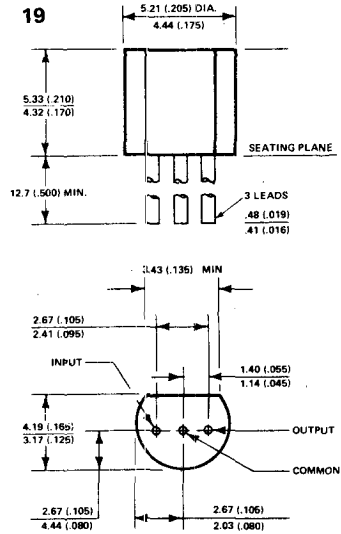
16



17

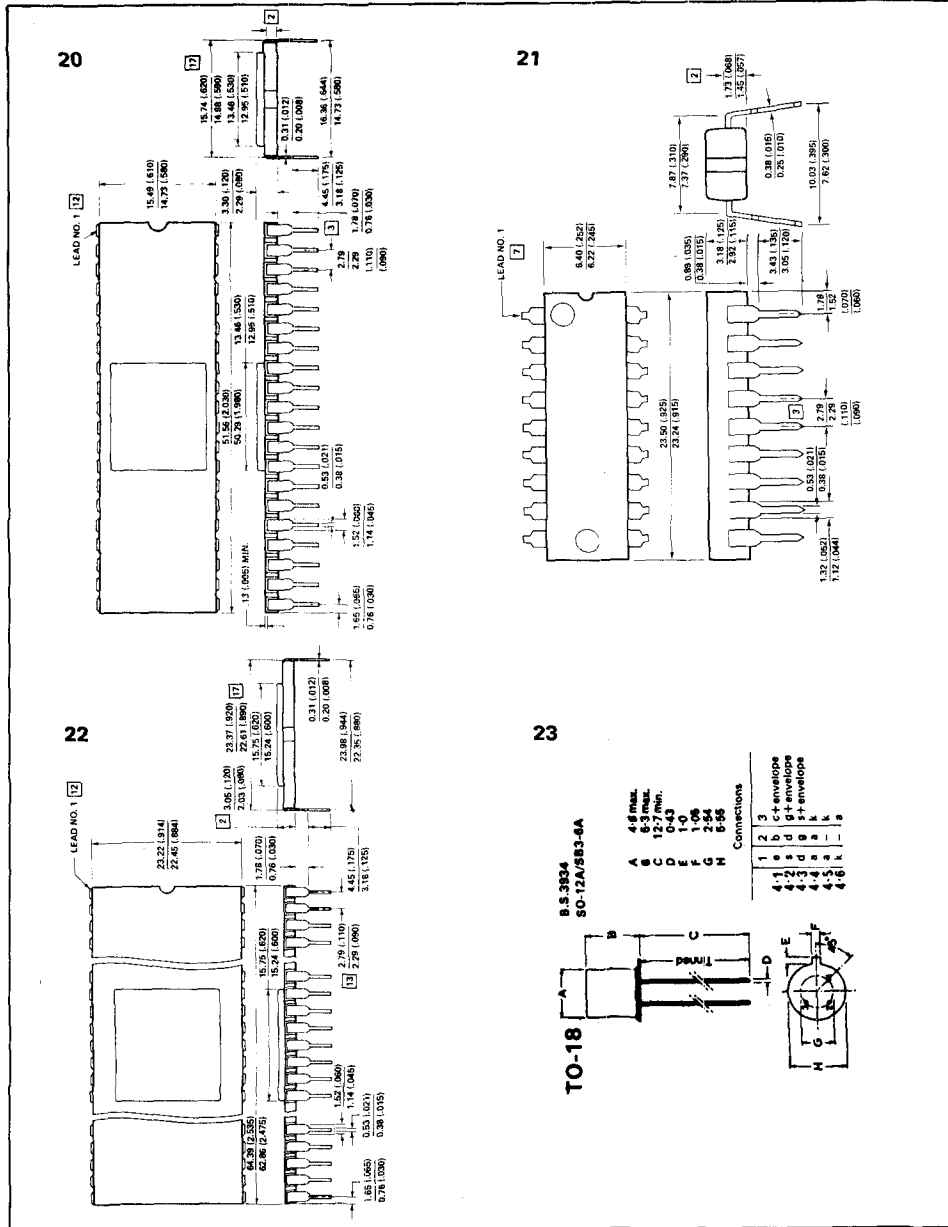


19



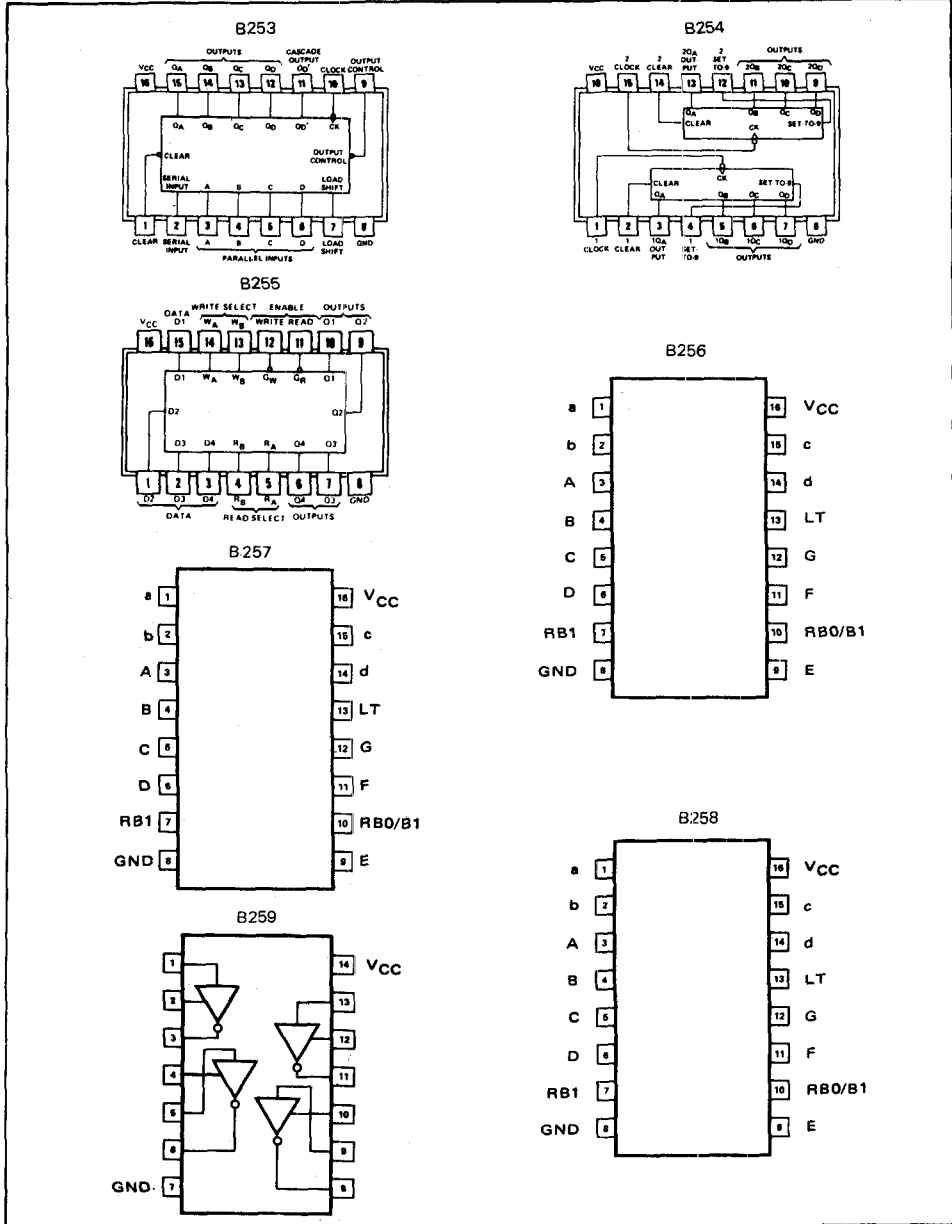
PLEASE QUOTE STOCK NO.
AND MANUFACTURER PART NO. WHEN ORDERING

TTT GEMINI



Signetics

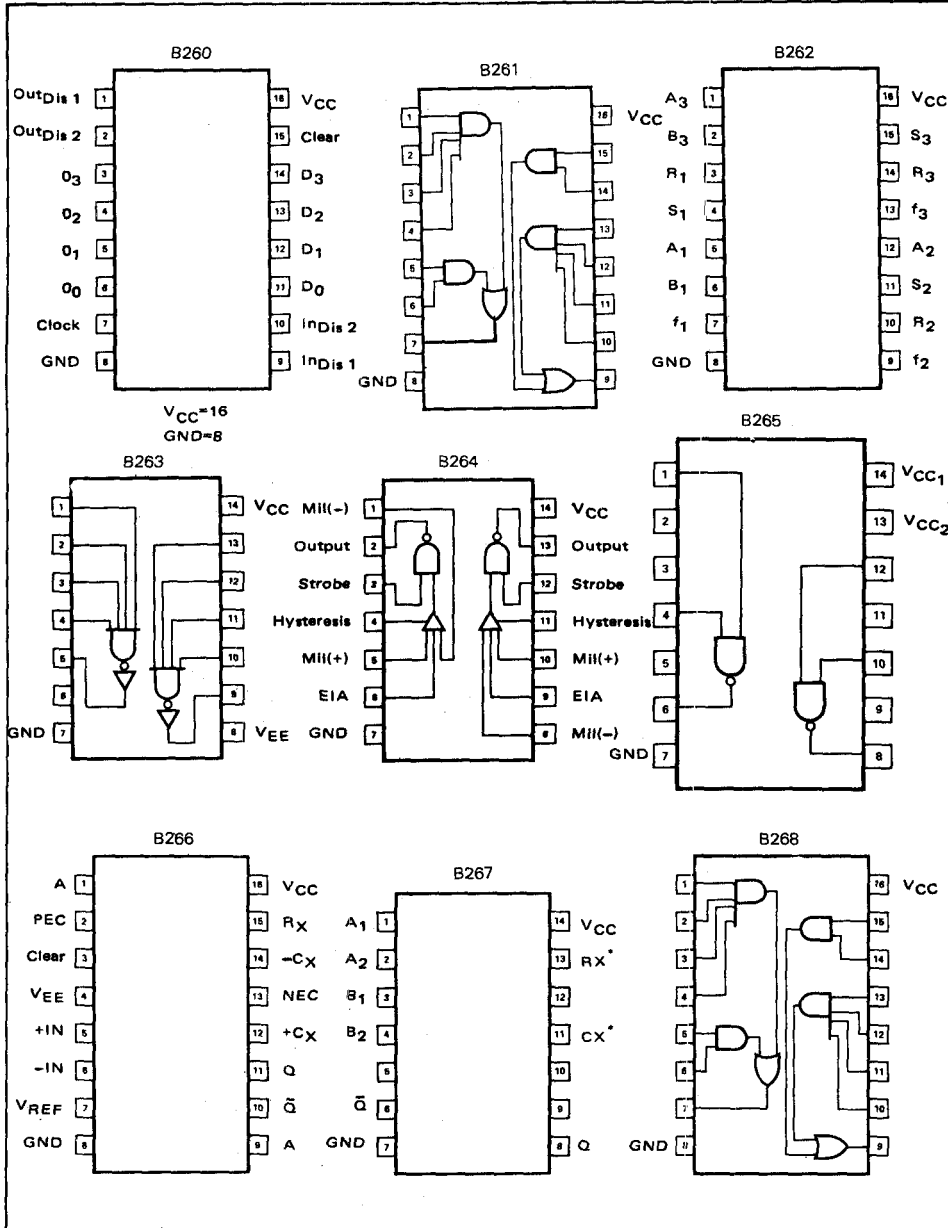
Connection Diagram



FOR CURRENT PRICES PHONE HARLOW (0279) 29644

Signetics

Connection Diagram

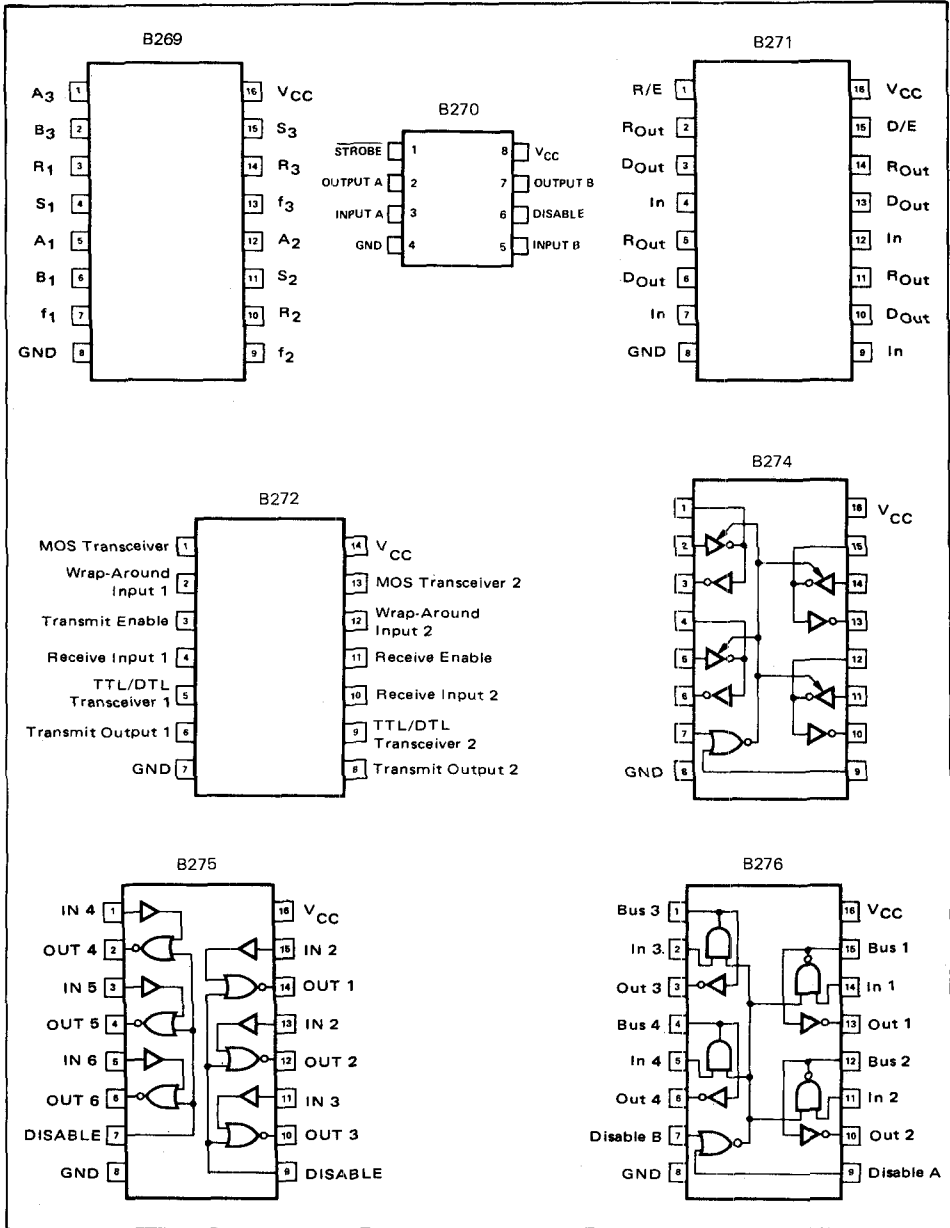


PLEASE QUOTE STOCK NO.
AND MANUFACTURERS PART NO. WHEN ORDERING



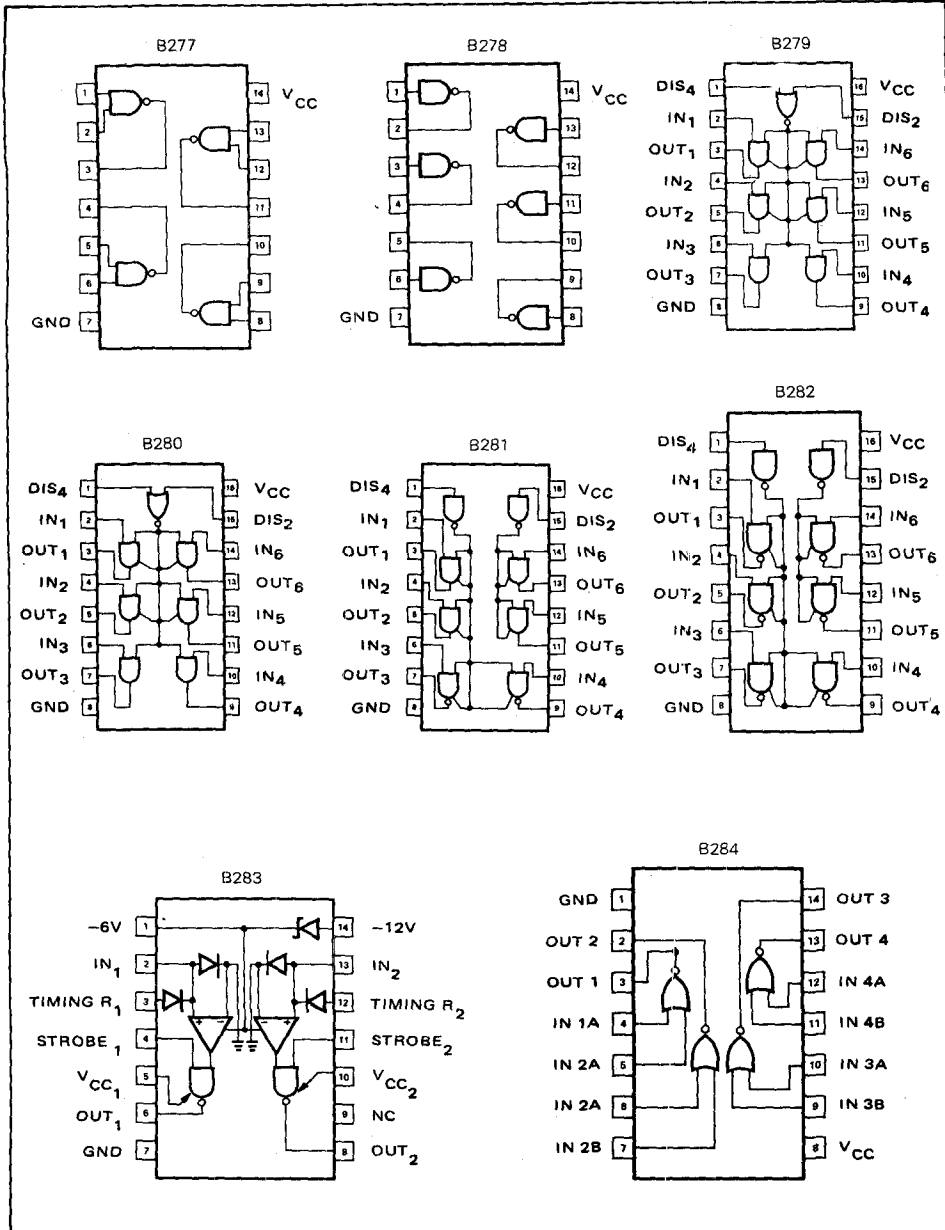
Signetics

Connection Diagram



Signetics

Connection Diagram



PLEASE QUOTE STOCK NO.
 AND MANUFACTURERS PART NO. WHEN ORDERING

